

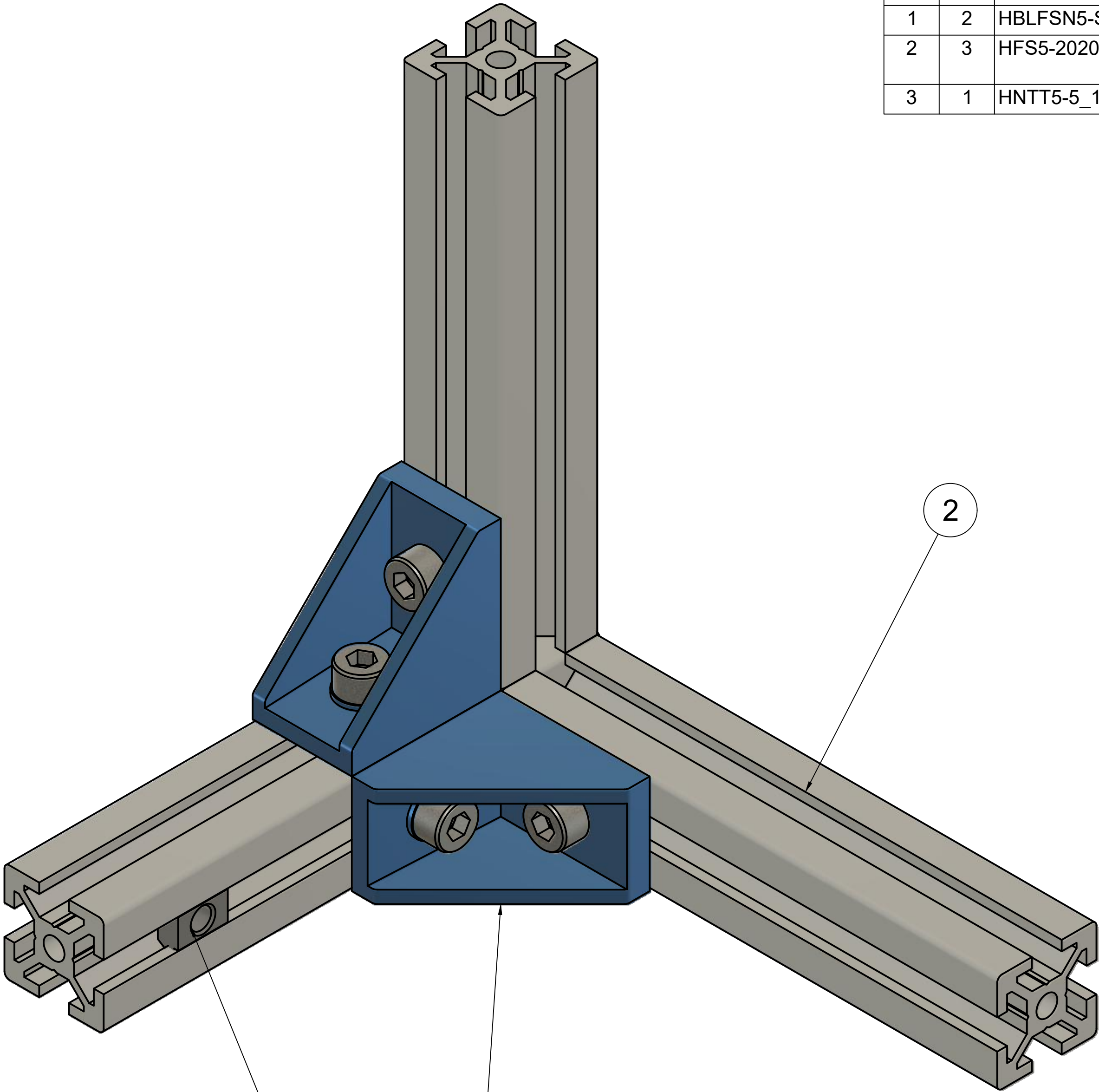
4

3

2

1

PARTS LIST				
ITEM	QTY	PART NUMBER	DESCRIPTION	MATERIAL
1	2	HBLFSN5-SET	SEE DRG.B916600A3	
2	3	HFS5-2020-100	MISUMI EXTN 20X20X100 LG.	ALUMINUM
3	1	HNTT5-5_1	MISUMI SHORT NUT-M5	STEEL



2

3

1

4

3

2

1

PROJECT		Assets		
TITLE		TYPICAL CORNER		
APPROVED	SIZE	CODE	DWG NO	REV
CHECKED	C			
DRAWN Robert Bishop 2020-06-27	SCALE 2:1	WEIGHT	SHEET 1/1	

D

D

C

C

B

B

A

A