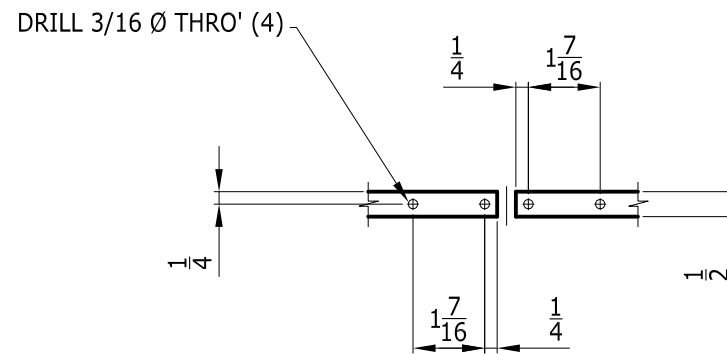
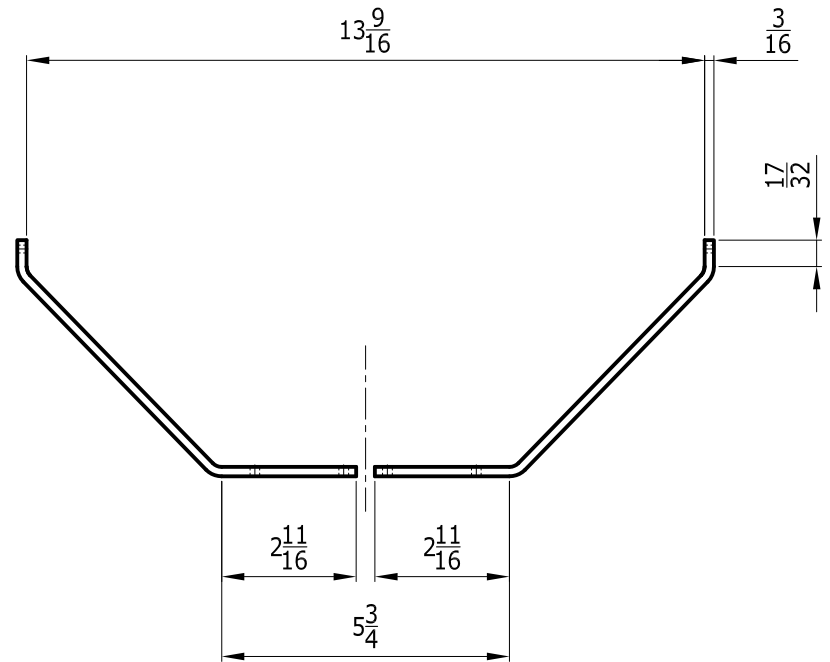


VIEW OF CABANE END.
SCALE=2:1



CURTISS P-6E HAWK. REAR CABANE.

DESIGNED BY- BOB BISHOP
 WEB SITE-www.rc-airplanes-simplified.com/rc-airplanes-plans/html
 MATERIAL-6061 T6 ALUMINUM.
 SUPPLIER- TNT LANDING GEAR (www.tntlandinggear.com)
 SCALE-1/4 FULL SIZE.

reference:
 Hawkrearcabane.dwg
 Hawkrearcabane.pdf
 rc-p-6e-12.jpg

