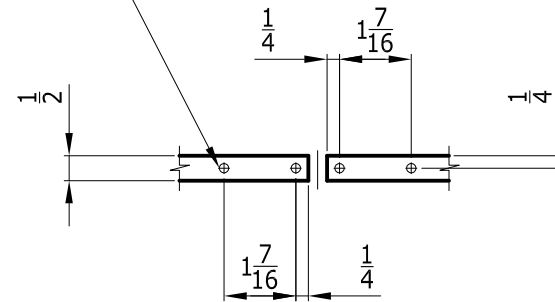


VIEW OF CABANE END
SCALE=2:1

DRILL $\frac{3}{16}$ Ø THRO' (4)



DRILL $\frac{5}{32}$ Ø THRO' (2)

CURTISS P-6E HAWK. FRONT CABANE.

DESIGNED BY- BOB BISHOP
 WEB SITE-www.rc-airplanes-simplified.com/rc-airplanes-plans/html
 MATERIAL-6061 T6 ALUMINUM.
 SUPPLIER- TNT LANDING GEAR (www.tntlandinggear.com)
 SCALE-1/4 FULL SIZE.

reference:
 Hawkfrontcabane.dwg
 Hawkfrontcabane.pdf
 rc-p-6e-13.jpg

