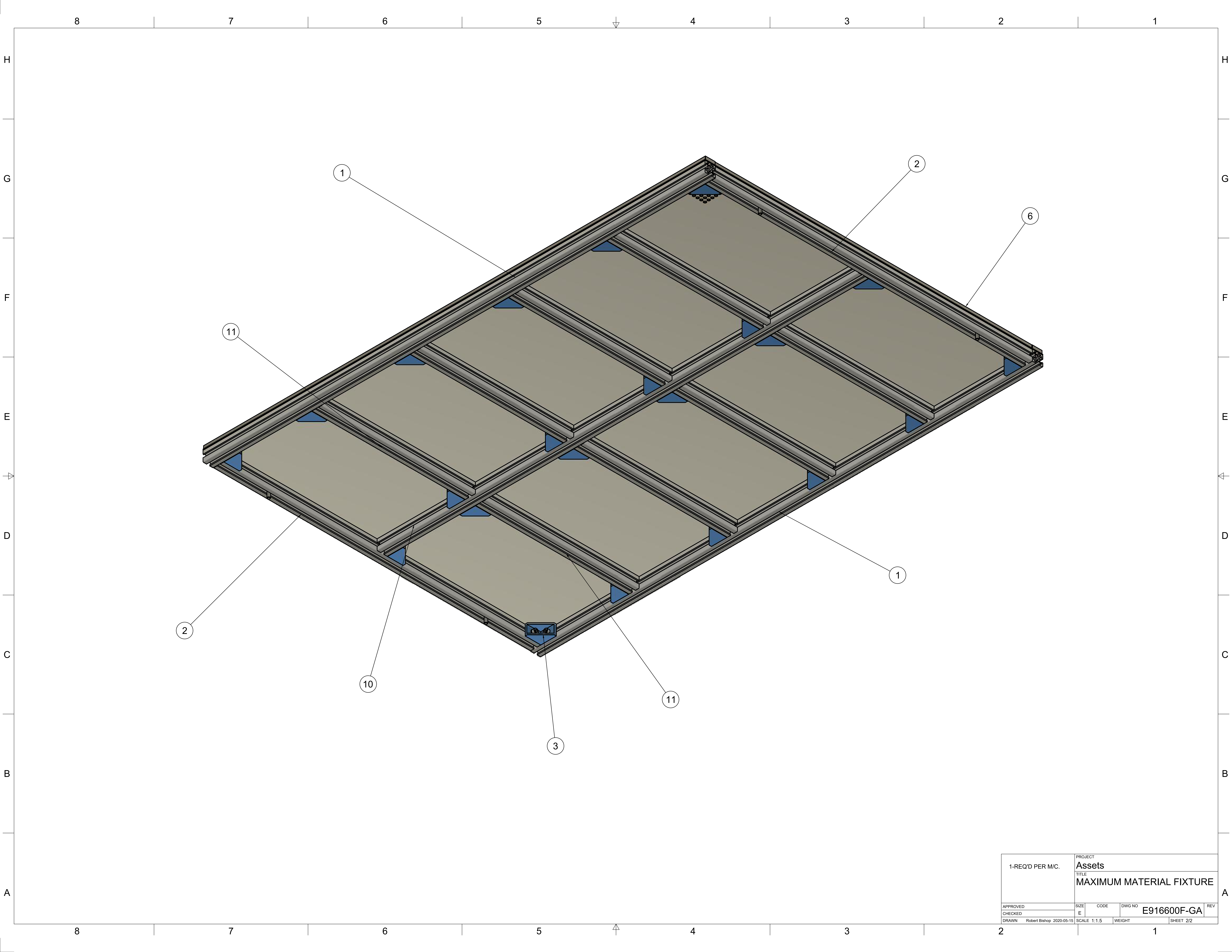


PARTS LIST				
ITEM	QTY	PART NUMBER	DESCRIPTION	MATERIAL
1	2	HFSS-2020-966	MISUMI EXTN. 20X20X966 LG.	ALUMINUM
2	2	HFSS-2020-610	MISUMI EXTN. 20X20X 610 LG.	ALUMINUM
3	22	HBLFNS5-SET	SEE DRG.B916600A3	
4	3	BALSA 6"X1/4"X36" V2		STEEL
5	2	FIXTURE CLAMP BAR	SEE DRG.C916600F1	STEEL
6	2	FIXTURE CLAMP BAR SHORT	SEE DRG.C916600F2	STEEL
7	18	SPRING LOADED TEE NUT ASSLY 12 LG	MISUMI HNTF5-5 & L.P.SCREW M5X10	STEEL
8	9	MAGNET LOCATOR	K&J MAGNETICS MMR-A-Y8	STEEL
9	1	BALSA 3"X1/16"X36"		BALSA
10	1	HFSS-2020-926	MISUMI EXTN. 20X20X926LG.	ALUMINUM
11	8	HFSS-2020-295	MISUMI EXTN. 20X20X295 LG.	ALUMINUM
12	4	CBM5-35	MCMaster-CARR 91290A256	STEEL
13	2	PIANO WIRE 5/32"	36" LG.	STEEL
14	1	CUTTING PLATE	SEE DRG.C916600F3	STEEL

1 REQD PER M/C.		PROJECT <b>Assets</b>	
		TITLE <b>MAXIMUM MATERIAL FIXTURE</b>	
APPROVED	SIZE	CODE	DWG NO
CHECKED	E		<b>E916600F-GA</b>
DRAWN Robert Bishop 2020-05-15		SCALE 1:1.5	WEIGHT SHEET 1/2



1-REQ'D PER M/C.		PROJECT <b>Assets</b>	
		TITLE <b>MAXIMUM MATERIAL FIXTURE</b>	
APPROVED	SIZE	CODE	DWG NO
CHECKED	E		<b>E916600F-GA</b>
DRAWN	Robert Bishop	2020-05-15	SCALE 1:1.5
		WEIGHT	SHEET 2/2