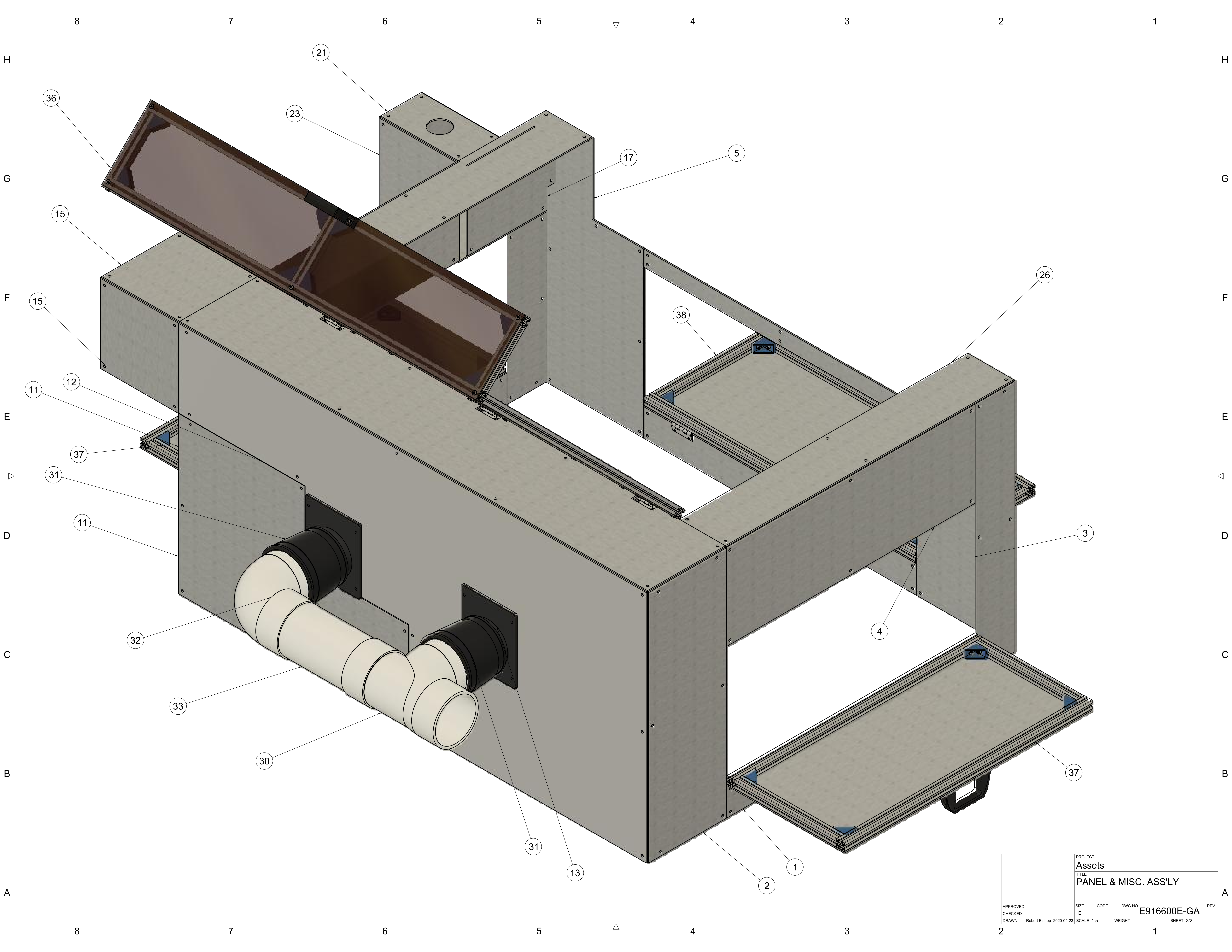


PARTS LIST				
ITEM	QTY	PART NUMBER	DESCRIPTION	MATERIAL
1	1	LEFT PANEL BOTTOM	SEE DRG.C916600E1	MDF
2	1	LEFT PANEL LEFT	SEE DRG.C916600E2	MDF
3	1	LEFT PANEL RIGHT	SEE DRG.C916600E3	MDF
4	1	LEFT PANEL TOP	SEE DRG.C916600E4	MDF
5	2	FRONT PANEL LEFT	SEE DRG.C916600E5	MDF
6	1	FRONT PANEL BOTTOM	SEE DRG.C916600E7	MDF
7	1	RIGHT FRONT PANEL	SEE DRG.C916600E8	MDF
8	1	RIGHT BOTTOM PANEL	SEE DRG.C916600E9	MDF
9	1	RIGHT TOP PANEL	SEE DRG.C916600E10	MDF
10	1	RIGHT TOP FRONT PANEL	SEE DRG.C916600E11	MDF
11	1	BACK PANEL LEFT	SEE DRG.C916600E12	MDF
12	1	BACK PANEL RIGHT	SEE DRG.C916600E13	MDF
13	2	BLAST GATE	POWERTEC 70108 (AMAZON)	PVC
14	1	TUBE EXTN PLATE 1	SEE DRG.C916600E14	MDF
15	2	TUBE EXTN PLATE 2	SEE DRG.C916600E15	MDF
16	2	TUBE EXTN PLATE 3	SEE DRG.C916600E16	MDF
17	1	CONTROL PANEL INSIDE PIECE	SEE DRG.C916600C17	MDF
18	1	CONTROL PANEL SIDE	SEE DRG.C916600E18	MDF
19	1	CONTROL PANEL FACE	SEE DRG.C916600E19	MDF
20	1	CONTROL PANEL FRONT	SEE DRG.C916600C20	MDF
21	1	CONTROL PANEL TOP	SEE DRG.C916600E21	MDF
22	1	CONTROL PANEL BOTTOM	SEE DRG.C916600E22	MDF
23	1	CONTROL PANEL REAR	SEE DRG.C916600E23	MDF
24	1	RIGHT PANEL ELECTRICS SIDE PANEL	SEE DRG.C916600E24	MDF
25	1	TOP PANEL REAR	SEE DRG.C916600E25	MDF
26	2	TOP PANEL L&R	SEE DRG.C916600E26	MDF
27	2	TUBE HOLDER	LIGHT OBJECT 80MM (PAIR)	
28	8	T NUT ASS'LY-TUBE	SEE DRG.B916600E27	
29	1	LASER TUBE 100W	RECI W4 100W CO2 SEALED LASER TUBE	LIGHT OBJECT
30	1	100MM PVC T PIPE FITTING	POWERTEC 70107 (AMAZON)	PVC
31	4	100MM RUBBER COUPLER	POWERTEC 70149 (AMAZON)	RUBBER, BLACK
32	1	100MM PVC 90 ELBOW	POWERTEC 70105 (AMAZON)	PVC
33	1	100MM PVC STRAIGHT PIPE	VENTRAL SCH 40 PIPE 4"X3 FT. (AMAZON)	PVC
34	2	100MM X 100LG. PVC STRAIGHT PIPE	MAKE FROM ITEM 33	PVC
35	1	FRONT PANEL TOP	SEE DRG.C916600E6	STEEL
36	1	TOP LID	SEE DRG.D916600E-GA2	
37	2	SIDE LID	SEE DRG.B916600A1	
38	1	FRONT LID	SEE DRG.B916600A5	
39	1	PANEL CO2 TUBE	SEE DRG.C916600E30	ACRYLIC SMOKED GREY

1-REQ'D PER MACHINE	PROJECT Assets				
	TITLE PANEL & MISC. ASS'LY				
APPROVED	SIZE	CODE	DWG NO	E916600E-GA	REV
CHECKED	E				
DRAWN Robert Bishop 2020-04-23	SCALE 1:3	WEIGHT	SHEET 1/2		



PROJECT		Assets	
TITLE		PANEL & MISC. ASS'LY	
APPROVED	SIZE	CODE	DWG NO
CHECKED	E		E916600E-GA
DRAWN	Robert Bishop	2020-04-23	SCALE 1:5
	WEIGHT		SHEET 2/2