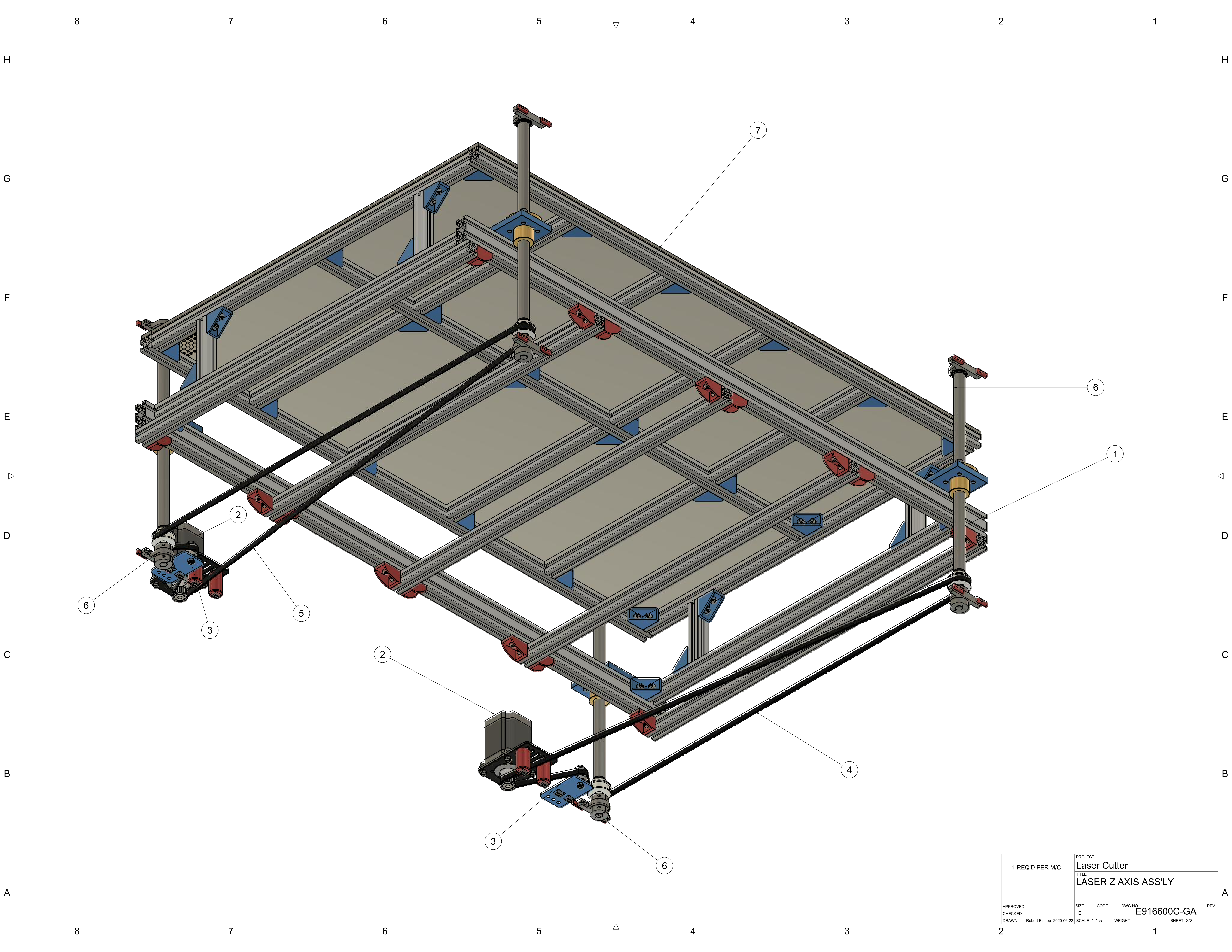


PARTS LIST				
ITEM	QTY	PART NUMBER	DESCRIPTION	MATERIAL
1	1	BASIC FRAME Z AXIS	SEE DRG. C916600C1	
2	2	NEMA 23 STEPPER MOTOR ASSLY	SEE DRG.C916600C3	
3	2	IDLER PULLEY PLATE ASSLY	SEE DRG C916600C4	
4	1	TIMING BELT 3MM GT2X 9 WIDE	TORONTO GEAR 1692-3P-09	NEOPRENE
5	1	TIMING BELT 3MMGT2 X9 WIDE	TORONTO GEAR 1692-3P-09	NEOPRENE
6	4	LEAD SCREW ASSLY	SEE DRG.C916600C11	
7	1	MAXIMUM MATERIAL FIXTURE	SEE DRG.E916600F-GA	

1-REQ'D PER M/C		PROJECT <b>Laser Cutter</b>		
		TITLE <b>LASER Z AXIS ASS'LY</b>		
APPROVED	SIZE	CODE	DWG NO	REV
CHECKED	E		<b>E916600C-GA</b>	
DRAWN Robert Bishop 2020-06-22		SCALE 1:1.5	WEIGHT	SHEET 1/2



1 REQ'D PER M/C		PROJECT <b>Laser Cutter</b>	
		TITLE <b>LASER Z AXIS ASS'LY</b>	
APPROVED	SIZE	CODE	DWG NO.
CHECKED	E		<b>E916600C-GA</b>
DRAWN	Robert Bishop	2020-06-22	SCALE 1:1.5
		WEIGHT	SHEET 2/2