

4

3

2

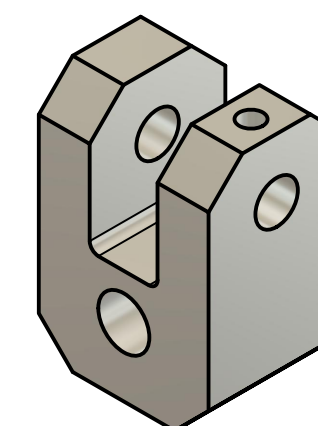
1

D

D

0.500in

TAP #4-40 THRO' (1)



1/8"x45°(4)

0.250in

REAM 0.156"Ø THRO'(1)

C

C

0.187in

0.250in

0.467in

B

B

0.883in

0.415in

B

B

0.250in

REAM 0.188"ØTHRO' (1)

A

A

0.313in

0.625in

| | | | | |
|--------------------------------|------------------------------|-----------|-----------|-----------|
| 2-REQ'D MATL.-ALUMINIUM | PROJECT Fusion 360 Models | | | |
| | TITLE Bottom Brkt. | | | |
| APPROVED | SIZE | CODE | DWG NO | REV |
| CHECKED | C | | C2020LAG7 | |
| DRAWN Robert Bishop 2020-09-23 | | SCALE 5:1 | WEIGHT | SHEET 1/1 |

4

3

2

1