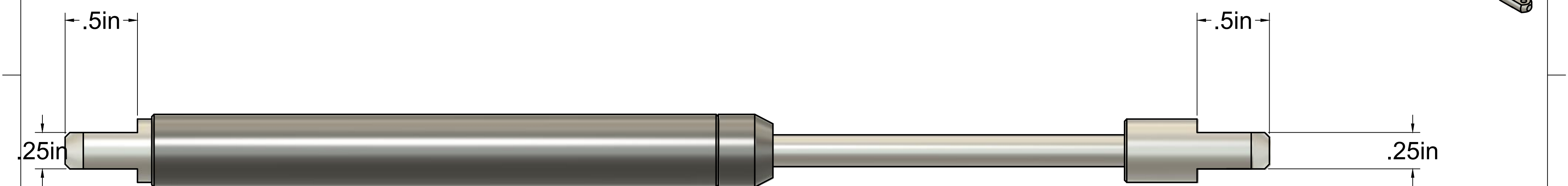
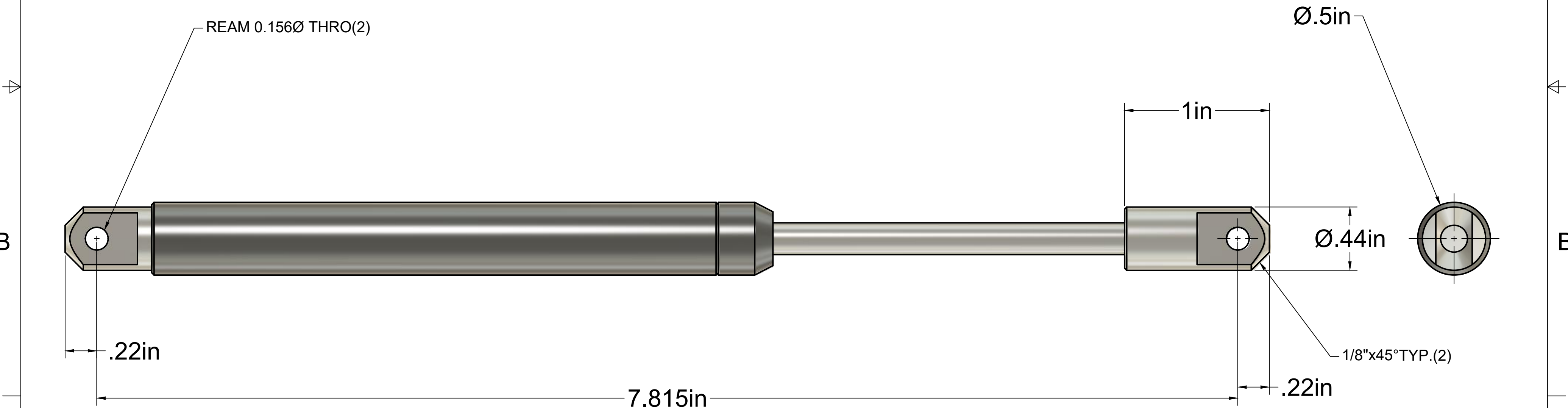


4 3 2 1

D D



C C



A A

4 3 2 1

2-REQ'D	PROJECT Fusion 360 Models			
	TITLE Strut G.A.			
APPROVED	SIZE	CODE	DWG NO	REV
CHECKED	C		C2020LAG6	
DRAWN Robert Bishop 2020-09-18	SCALE 2:1	WEIGHT	SHEET 1/1	