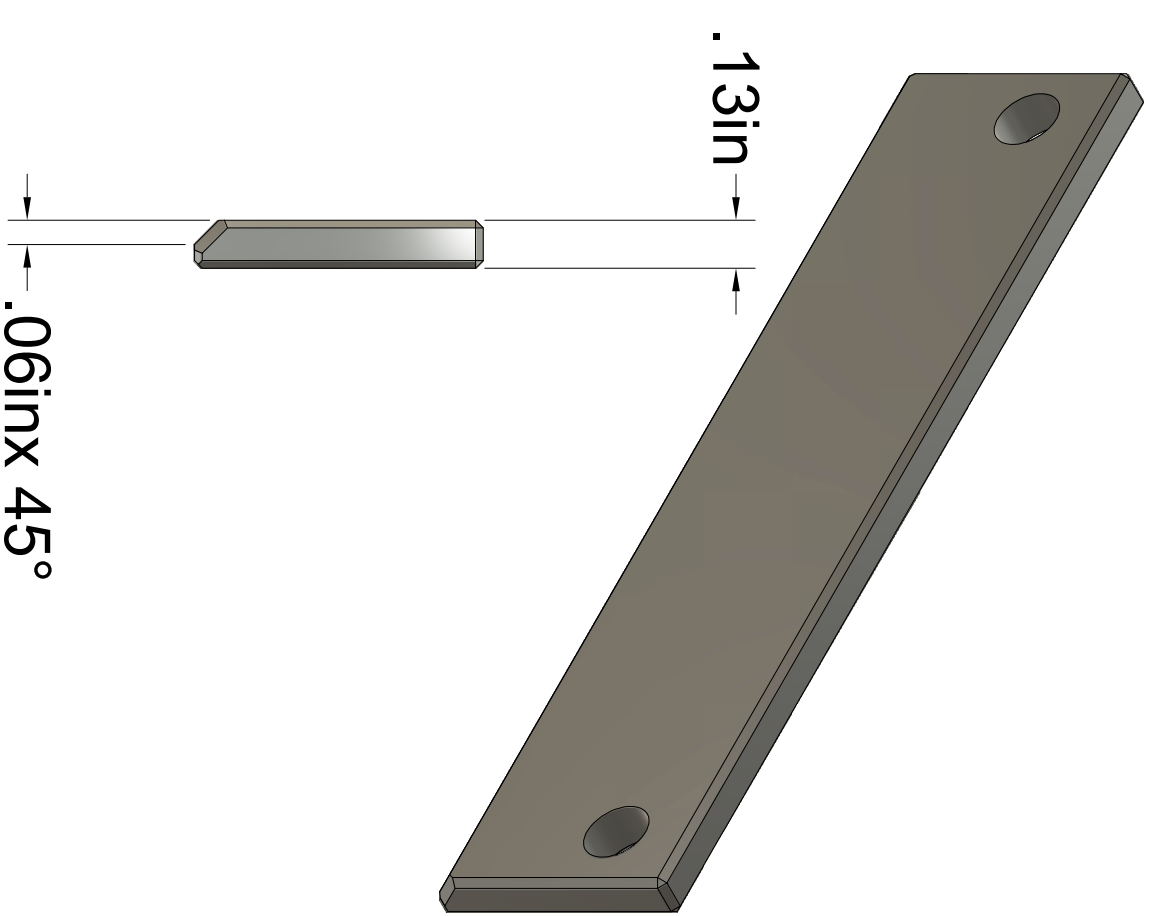


Ø.19in REAM THRO' PRESS FIT DOWEL (2)



4-REQ'D PER FIXTURE
 MATL.-CRS 3/4"x1/8"
 TOL.-+/-0.010"
 FINISH-BLACK OXIDE
 REMOVE ALL BURRS&
 SHARP EDGES.

PROJECT
Boss Laser
 TITLE
Clamp Block

APPROVED	SIZE	CODE	DWG NO	REV
CHECKED	B		B2021D2	
DRAWN	SCALE 1:1	WEIGHT	SHEET 1/1	
Robert Bishop 2021-05-07				