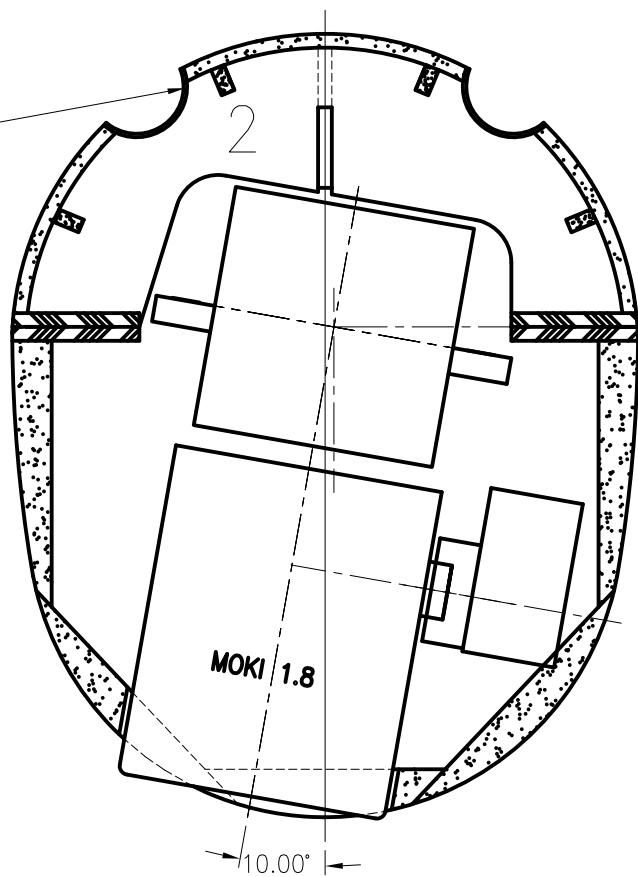
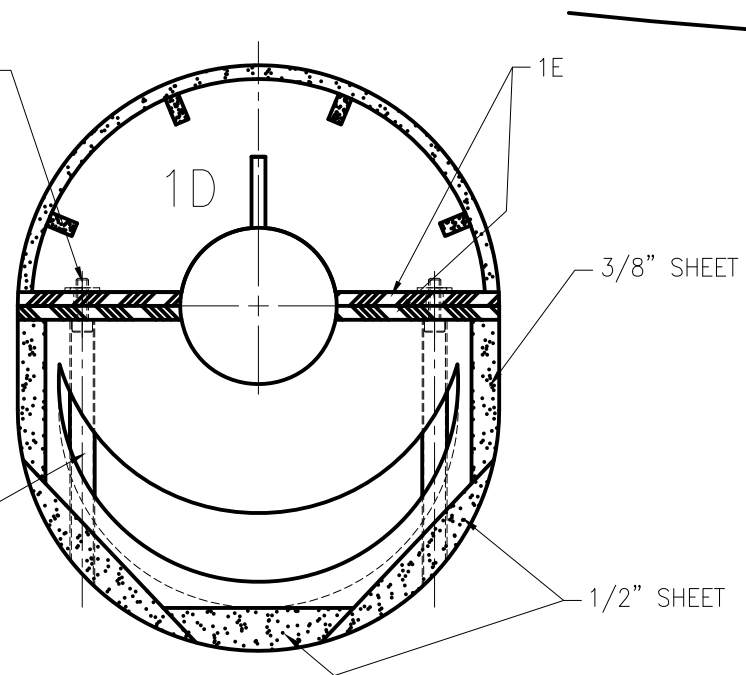


MACHINE GUN TROUGHS—
1/64" PLY



4-40 SOCKET HEAD
CAPSCREWS&ANCHOR
NUTS



CONSTRUCT COWL USING FORMERS 2B-TEMP
&3B-TEMP.REMOVE AFTER ASSEMBLY.