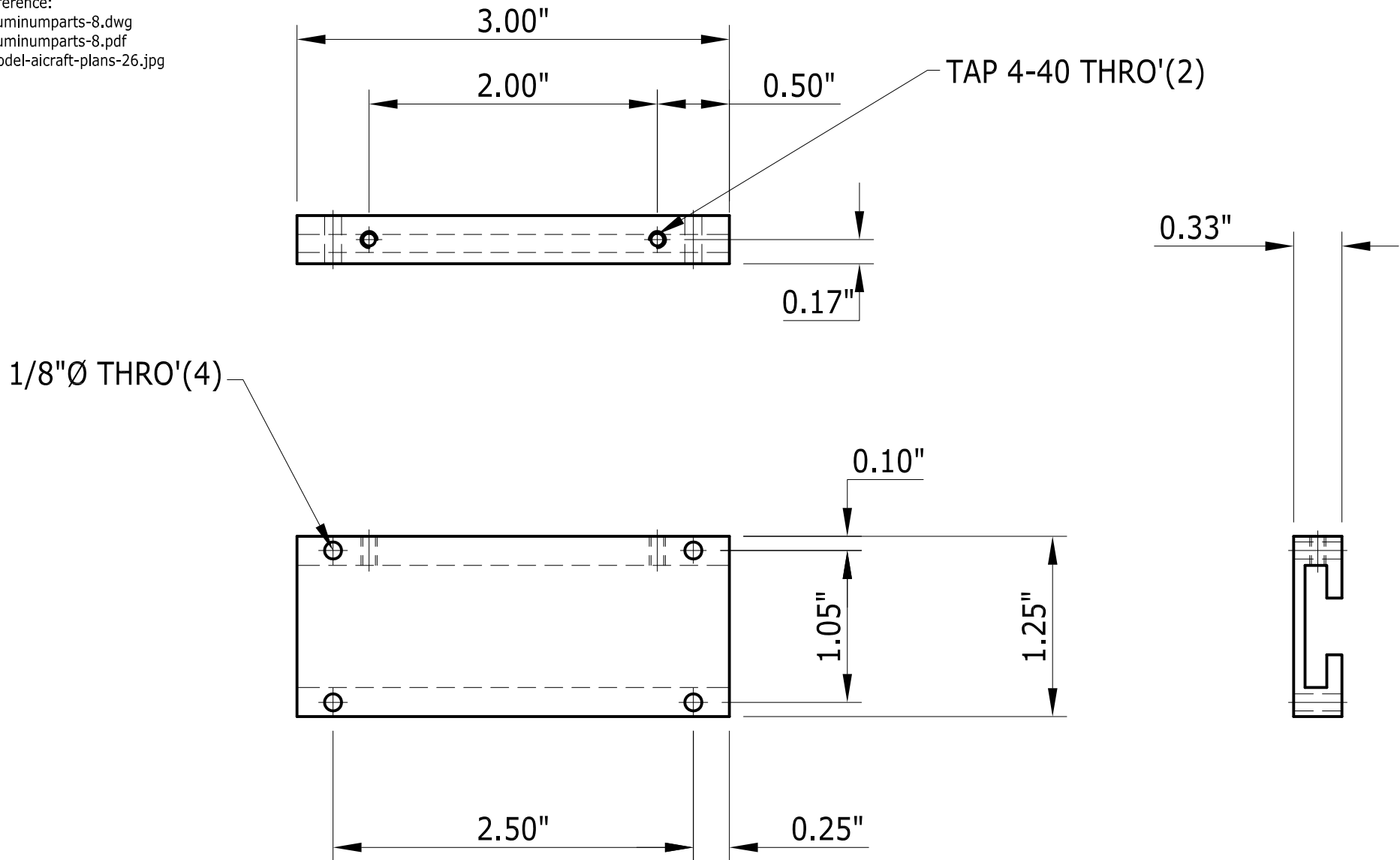


FAIREY FANTOME.

reference:
aluminumparts-8.dwg
aluminumparts-8.pdf
model-aircraft-plans-26.jpg



2-REQ'D.FOR UPPER WING.
MAKE FROM SIG SH724-ALUMINUM WING
JOINER KIT FOR 1/3 SCALE SPACEWALKER.

DESIGNED BY-BOB BISHOP
SEE WEB SITE-
www.rc-airplanes-simplified.com/model-aircraft-plans/html