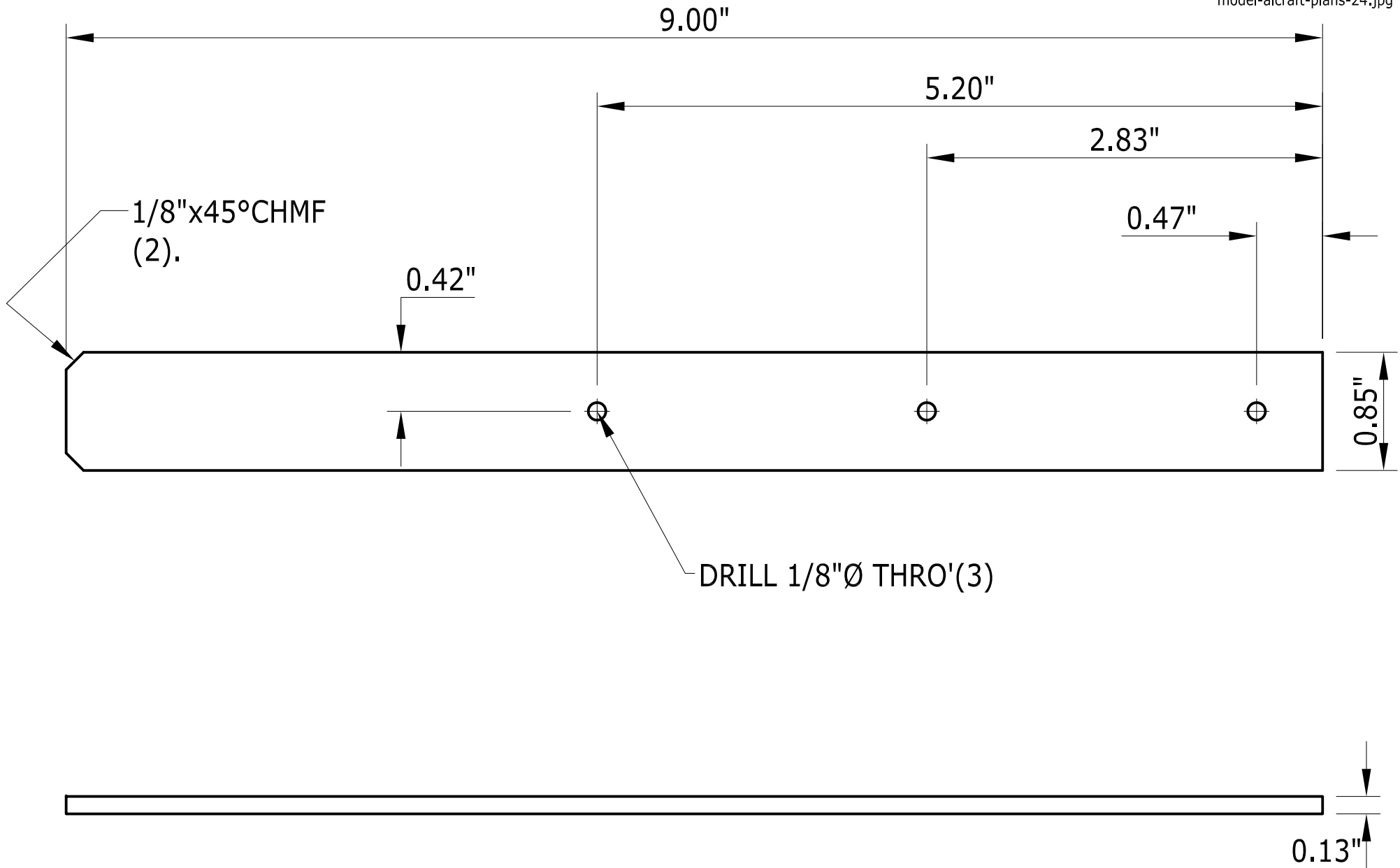


# FAIREY FANTOME.

reference:  
aluminumparts-7.dwg  
aluminumparts-7.pdf  
model-aircraft-plans-24.jpg



2-REQ'D. FOR UPPER WING.  
MAKE FROM SIG SH724-ALUMINUM WING  
JOINER KIT FOR 1/3 SCALE SPACEWALKER.

DESIGNED BY-BOB BISHOP  
SEE WEB SITE-  
[www.rc-airplanes-simplified.com/model-aircraft-plans/html](http://www.rc-airplanes-simplified.com/model-aircraft-plans/html)