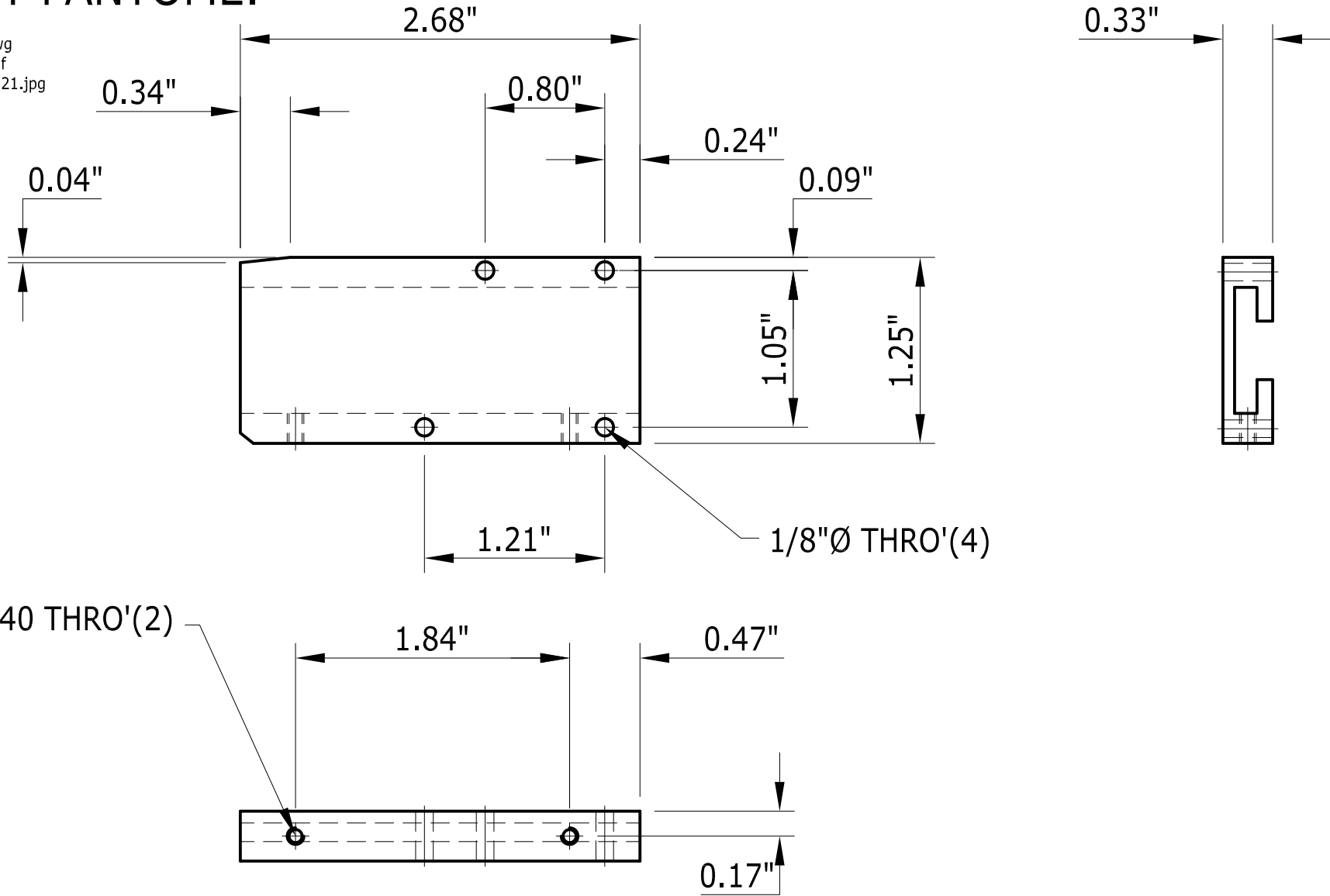


FAIREY FANTOME.

reference:
aluminumparts-4.dwg
aluminumparts-4.pdf
model-aircraft-plans-21.jpg



PART WR5. 1-REQ'D.
MAKE FROM SIG SH724-ALUMINUM WING
JOINER KIT FOR 1/3 SCALE SPACEWALKER.

DESIGNED BY-BOB BISHOP
SEE WEB SITE-
www.rc-airplanes-simplified.com/model-aircraft-plans/html